



INDEX

ACCESSORIES

WHEELSET

BIKES

2020

COMPLETE BIKE

1-4	ROAD BIKE
5-7	CYCLOCROSS
5-11	MOUNTAIN XC
	MOUNTAIN
12-14	TRACK BIKE

WHEELSET

15	ROAD CARBON (SLR 50)
16	MTB CARBON(XCD280)
17	ROAD ALLOY (RRA)
18	ROAD ALLOY (RRA DISC)
19	MTB ALLOY (RACE27.5)

ACCESSORIES

20~21	PULLEY /PULLEY CAGE
23~24	BOTTLE CAGE
25	B.B.PARTS
26	BIKE PARTS
27~28	BRAKE SERIES

REPAIR

29	TIRE SEALANT
30~31	TOOL KIT



SLR C50

WHEELSET

1 5

ROAD
CARBON

LIGHTWEIGHT ROAD CARBON

- > 700C (ETRTO: 622mm)
- > CLINCHER CARBON FIBER
- > DEPTH : 50mm / Width: 21mm
- > HUB :Straight pull hub, 3 pawls 6061 Aluminum
- > BEARINGS : 6 sealed
- > Optional: Ceramic bearings
- > COMPATIBILITY :Shimano 11S, SRAM 11S, Campagnolo 11S
- > SPOKES F: 20 /R: 24, Sapim CX-RAY, Straight pull, black
- > NIPPLES :Sapim 14mm
- > LACING F: radial /R: 2 cross & radial



Tubeless Ready System (Full Carbon)						Hookless
SLR C35	SLR C40	SLR C45	SLR C50	SLR C83	SLR C63	SLR C55
35mm	40mm	45mm	50mm	83mm	63mm	55mm

XCD 280

LIGHTWEIGHT MTB CARBON

- > Rim: 27.5INCH(ETRTO584mm)CLINCHER
CARBON FLBER, TUBELESS READY
- > HUB: STRAIGHT PULL ALLOY 6061/6 SEALED
BEARINGS
- > AXLE: F/QR/15 mm . R/QRx135
M12x135mm/142mm)
- > SPOKES: F:24 ;R24 Sapim CX-RAY
- > LACING: F/R 2 CROSS

WHEELSET

1 6

MTB
CARBON

OPTIONS : 29"



29"	27.5"	
XCD280 TR9	XCD280	XCD280 TR
28mm	28mm	28mm

RRA

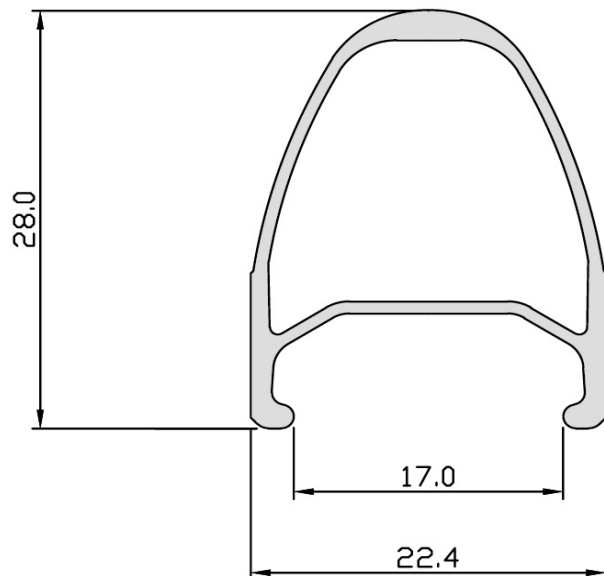
WHEELSET

1 7

MTB
ALLOY

LIGHTWEIGHT ROAD ALLOY

- > 700C (ETRTO: 622mm) TUBELESS READY CLINCHER SUPER LITE ALLOY
- > DEPTH 28mm /WIDTH : 22mm
- > HUB Straight pull hub, 3 pawls 6061 Aluminum BEARINGS 6 sealed
- > Optional: Ceramic bearings
- > COMPATIBILITY Shimano 11S, SRAM 11S, Campagnolo 11S
- > SPOKES :F: 20 / R: 24, Stainless aero, Straight pull, black
- > NIPPLES 14mm alloy nipples
- > LACING F: radial / R: 2 cross & radial



RRA DISC

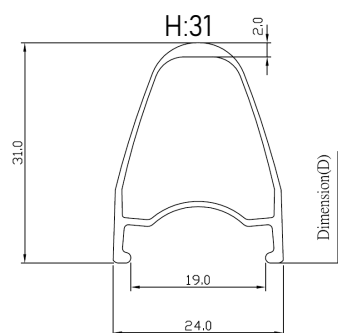
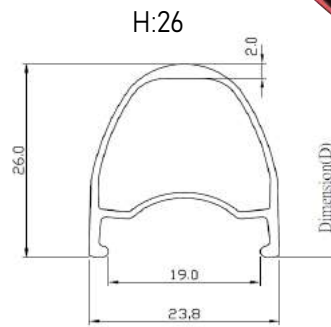
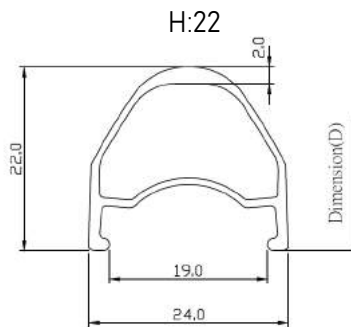
LIGHTWEIGHT ROAD ALLOY

- > 700C (ETRTO: 622mm) CLINCHER SUPER LITE ALLOY DISC ONLY
- > DEPTH:31mm /WIDTH : 24mm
HUB Straight pull hub, 3 pawls 6061 Aluminum
BEARINGS 6 sealed
- > Optional: Ceramic bearings
- > AXLE F: QR M12 M15 / R: QRx135 / M12x135;
M12x142mm
- > COMPATIBILITY Shimano 11S, SRAM 11S, Campagnolo 11S
- > SPOKES :F: 24/R: 24, Stainless aero, Straight pull, black
- > NIPPLES 14mm alloy nipples
- > LACING F: 2 cross radial / R: 2 cross

WHEELSET

1 8

MTB DISC
ALLOY



**FOR USE WITH
DISC BRAKES ONLY**
Use of non-disc brake systems will result
in catastrophic failure and void warranty.

RACE 27.5

WHEELSET

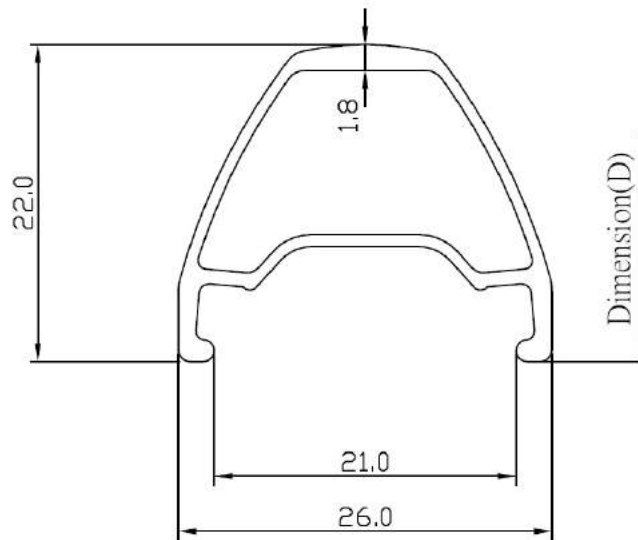
1 9

MTB
ALLOY

OPTIONS : 29"

LIGHTWEIGHT MTB CARBON

- > Rim: 27.5 INCH(ETRTO584mm) CLINCHER ALUMINUM, TUBELESS READY
- > DEPTH: 22mm/WIDTH:26
- > HUB: STRAIGHT PULL ALLOY 6061/6 SEALED BEARINGS
- > AXLE: F/QR/15mm.R/QRx135 M12x135mm/142mm)
- > SPOKES: F: 24 ;R24 Sapim CX-RAY
- > LACING: F/R 2 CROSS



PULLEY CAGE

> Pulley Cage Item No: (PG-A01)

Material: Pulley AL7075T6

T:11T+16T Sprocket option:28T/30T/32T/34T

Finish: Anodized Color

For SHIMANO 6800 / 9000 / 9070 / 9700

Pulley Cage Item No: (PG-A02)

Material: Pulley AL7075T6

T:11T+14T Sprocket option:28T/30T/32T/34T

Finish: Anodized Color

For SHIMANO 6800 / 9000 / 9070 / 9700

Pulley Cage Item No: (PG-A03)

Material: Pulley AL7075T6

T:14T+16T Sprocket option:28T

Finish: Anodized Color

For SHIMANO 6800 / 9000 / 9070 / 9700

> Pulley Cage Item No: (PG-B01)

Material: Pulley AL7075T6

T:11T+16T Sprocket option:28T/30T/32T/34T

Finish: Anodized Color

For SRAM RED/ FORCE

Pulley Cage Item No: (PG-B02)

Material: Pulley AL7075T6

T:11T+14T Sprocket option:28T/30T/32T/34T

Finish: Anodized Color

For SRAM RED/ FORCE

Pulley Cage Item No:(PG-B03)

Material: Pulley AL7075T6

T:14T+16T Sprocket option:28T/30T/32T/34T

Finish: Anodized Color

For SRAM RED/ FORCE

ACCESSORIES

20

PULLEY CAGE

ALLOY



PG-A01/A02/A03
(FOR SHIMANO)



PG-B01/B02/B03
(FOR SRAM)

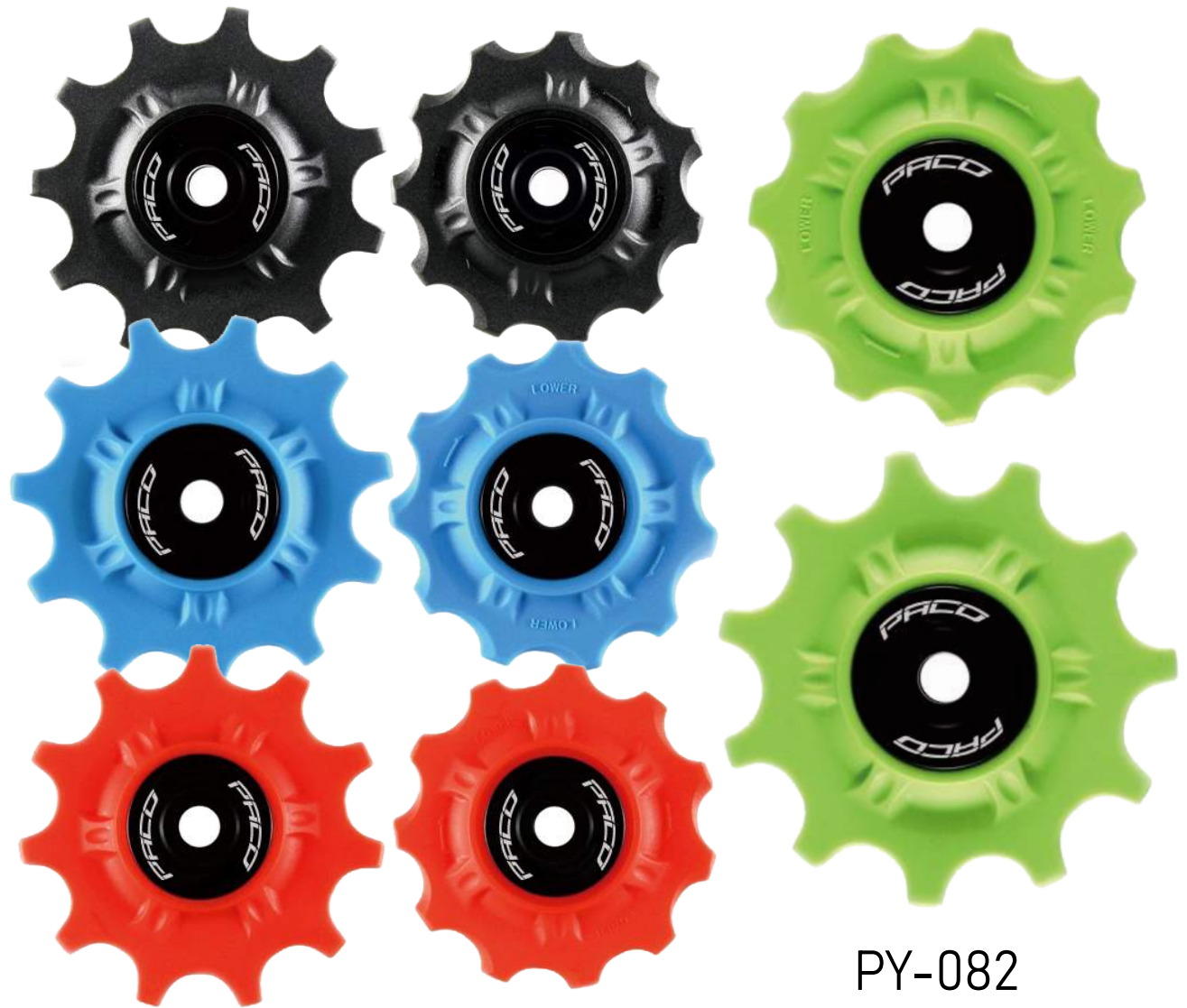
PY-082

> Shimano - Road / MTB Compatible
Shimano SRAM Campy - Road bike Compatible
Shimano - MTB cycle cross Compatible
Gear Tooth/Speed : 11T / 11S (1 set 2pcs 11T)
Bearing : Steel Bearing & Ceramic Bearing
Color : Black / Blue / Green / Red

ACCESSORIES

2 1

PULLEY
PLASTIC



PY-082

BC A02

BOTTLE CAGE

> Made of an alloy 6061 with strong and lightweight features.

> Streamlined alloy cage is suitable for both on-road and off-road racing.

> Colors : S.B. AND. Black/Red/Blue/Gold/Ti Black.

> Weight: 24g



ACCESSORIES

2 2

BOTTLE CAGE

ALLOY

BC A07

BOTTLE CAGE

> **ALLOY PLATE BOTTLE CAGE** Material: alloy
Finish: powder coated & anodized
Color: black

> **PLEASE NOTE** – bicycle frame requires threaded holes for installation of bottle cages.

> **EASY INSTALLATION:** Use a 4mm hex key (not included) to fasten cages in screw holes on frame. The included screws are standard size for water bottle cage mounts.

> Oval and ergonomic design helps to strengthen its hold, keeping bottles securely in place while providing easy access for riders.

> Great for rides around town or for touring. Perfect for those who want a stylish cage to lighten their load as they ride.

ACCESSORIES

2 3 BOTTLE CAGE
ALLOY PLATE



BC N02 / N03

BOTTLECAGE

> Plastic bottle cage-left& right side Material: NYLON Color: Black Weight: 32g with oem packing- with screw

> Suitable for left or right entry.

ACCESSORIES

2 4 BOTTKE CAGE
PLASTIC



B.B. with 2 in 1 (Shimano/Sram)

> BK-7001X(2in1)
Pulley Cage Item No: (PG-A01)
BB86/BB92 =all plastic
Color:Black



> BK-7003X(2in1)
Bsa/Extern al bb =out side alloy and center plastic
color Black

> BK-7004X(2in1)
PF30 =All Alloy .
color:BLACK



ACCESSORIES

2 5 BIKE B.B
PLASTIC/ALLOY
2 IN 1



BK-7001X(2in1)



BK-7003X(2in1)

BK-7004X(2in1)

BRAKE SERIES

>HB-FORCE

STYLE Top flat
BAR BORE Ø31.8mm
BEND 6 degrees
WIDTH 680 /720mm
WEIGHT 250 grams (680mm)

STYLE Riser bar
BAR BORE Ø 31.8mm
RISE 20mm
UPSWEEP 3degrees BEND 6 degrees
WIDTH 680 / 700mm
WEIGHT 260 grams (680mm)

>SP-RA52

1. Material: AL-2014
Dia/Length: 27.2x400mm
Offset: 18mm
Weight: 248g of 27.2x350mm

2. Material: AL-2014
Dia/Length: 30.9x400mm
Offset: 18mm

3. Material: AL-2014
Dia/Length: 31.6x400mm
Offset: 18mm
Weight: 263g of 31.6x350mm

>ST-FORCE

2014 Aluminum , Bar Bore 31.8mm, Dia: 28.6 mm ,
Ext:
60mm, 70mm, 80mm, 90mm, 100mm, 110mm, 120 mm
H: 38 mm, Angle: +6° / Angle -6° ,
Weight: 105 g (EXT: 100mm)

ACCESSORIES

2 6 BIKE PARTS
HANDLEBAR
SEATPOST
STEM



SP-RA52



ST-FORCE



HB-FORCE

BRAKE SERIES

>SCL01

Aluminum Centerlock to 6-bolt Rotor Disc Adapter Converter
FOR CENTER LOCK TYPE HUB

>R601S

Replacement Racing Replacement Brake Shoes For Carbon Rim Shimano/Sram/Trp Compatible

>INNER WIRE/HOUSING BOX

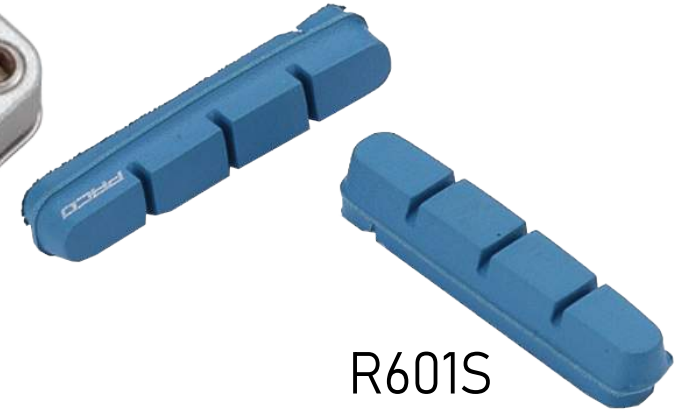
Inner wire box(100pcs),
housing box(50meter)

>R801H

55mm Extra-Light Brake Road Shoes
Holder Color: Black/Red/Ti/Orange



SCL01



R601S



INNER WIRE/HOUSING BOX



R801H

ACCESSORIES

27 BRAKE SERIES

BRAKE SERIES

>PDS-61

ORGAINIC DISC PADS WITH HEAT-DISSIPATION FIN for Shimano XTR M9020, M9000, M987, M985, XT M8000, M785, SLX M675, SLX M666, Deore M615, BR-CX77, BR-S700, BR-RS785, BR-R517, BR-R317, FSA K-Force DB-XC-9000 and FSA Afterburner DB-XC-9150.

>PDS-63C

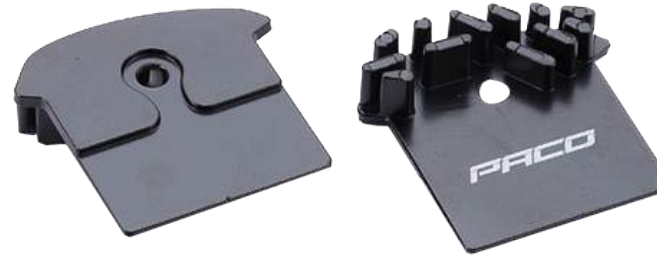
Sintered pads for Avid DB Avid Elixir .Avid Elixir, SRAM XX and SRAM XO series

>DR602

STANDARD SPEC 160mm floating SUS 410 braking Band AL7075 CARRIERColor :RED/BLUE/YELLOW/BLACK OPTION: 140/160/180/203mm

ACCESSORIES

28 BRAKE SERIES



PDS-61



DR602

PDS-63C

WHEEL SEALANT

> BR Tubeless Sealant is especially for high tire pressure. The latex and carbon fiber repair the puncture rapidly. The sealant has been tested in accordance with the SVCH principles under the REACH Regulation

> RECOMMENDED VOLUME PER TIRE

Road bike

	23C	25C	28C	32C	35C
700(622)	30ml	30ml	45ml	45ml	60ml

MTB

	1.75	1.9	2.1	2.3	2.6	2.8
26"(551)	60	60	60	75	75	90
27.5"(584)	60	60	60	75	90	90
29"(622)	75	75	90	90	120	120



Made in Taiwan

ACCESSORIES

29 WHEELSET REPAIR
TIRE SEALANT

Activated carbon TUBELESS SEALANT REVOLUTION

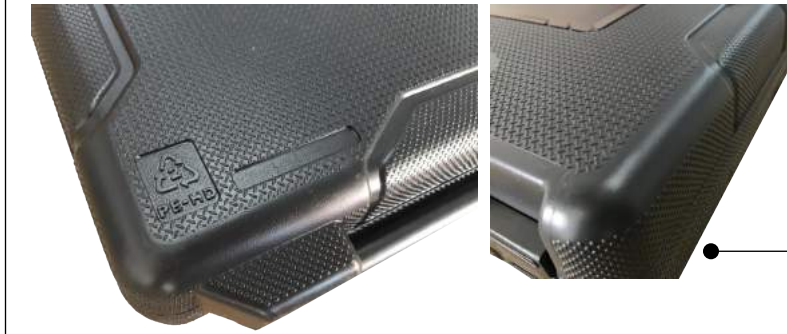
- Max tire pressure up to 100psi-130psi.
- Workable in environments from -30°C to +80°C.
- Has been tested in accordance with the SVCH principles under the REACH Regulation



KIT 21

Bicycle Repair Tool Kit.
21 Pcs Multi-Functional Bicycle Maintenance
Tools with Handy Bag

- > Cotterless crank tool. Use 14mm wrench
- > Tire lever (3 PCS)
- > B.B. tool & ISIS BB. Use 1/2" driver & 24mm
- > Freewheel remover cassette tool
- > Chain tool For Shimano HG/UG/IG chain for 8,9,10,11 speed take off Shimano pin
- > Spoke wrench Forged 9-15G
- > Chain whip wrench For normal chain
- > 15mm Pedal wrench. 14/15mm Box wrench
- > Wrench for chain ring nut. with 9/10mm box wrench
- > Cable & housing cutter
- > Chain checker
- > HEX KEY SET 7pcs
- > MF FREEWHEELS
- > Hub spanner. carbon steel 13/14/15/16 mm. 2 PCS/SET
- > B.B. tool hollowtech II B.B
- > Screwdriver +/-
- > Crank installation tool Material - nylon
- > T25 HEX KEY
- > T30 HEX KEY
- > tire repair kit
- > 8mm hex ket & 1/2" dr. socket wrench



TOOLKIT
30 Bicycle Repair
Steel Tool



KIT 22

- > Multi tool 19 Function
- > Hex key CNC:2/2.5/3/4/5/6/8mm
- > +/- screwdriver wrench:8/10mm
- > Spoke tool:3.3/3.45/4.0
- > Mavic.Chain tool,Torx:T25
- > Tire lever*2pcs



TOOLKIT

3 1

Bicycle Repair
Multi tool

KIT 23

- > Mini tool W/OPENER
- > Dog bone housing (Aluminium)
- > Hex key 2/2.5/3/4/5/6mm,T25.
- > +/- screwdriver. 100.0 Grams





PACO BIKE CO., LTD.
sales@paco-bike.com

No.80, Yuanlu Rd., Yuanlin Township,
Changhua County 510, Taiwan (R.O.C.)
(T)+886-4-8384342 (F)+886-4-8380736